

Project:	
Type:	
Catalog #:	



STANDARDS



HOUSING

- Premium powder-coat, die cast aluminum, dark bronze housing.

ELECTRICAL

- Operating temperature (ambient): -40°C to 50°C (-40°F to 122°F).
- Universal 120-277V AC voltage (50-60Hz) is standard.
- 0-10VDC dimming drivers are standard.
- Input transient surge protection = 6kV.
- Incoming AC power cord = 6'. Incoming dimming cord = 6'.
- Watertight, compression-type electrical connectors.
- Power factor > 90.
- Total harmonic distortion < 20%.

OPTICAL SYSTEM

- Polycarbonate lens.
- Field selectable 3000K (warm/neutral white), 4000K (neutral white) and 5000K (cool white) color temperatures*.
- Lumen selectable provides a range of 15,381 to 26,687 normal lumens and 28,342 to 40,932.*
- Long-life LEDs provide 167,000 hours of operation with at least 70% of initial lumen output (L70), and 51,000 hours with at least 90% of initial lumen output (L90)**.
- Distribution selectable. Standard optic provides type III / type IV / type V distribution. Easy to configure with switch.
- Sensor-ready receptacle standard.
- Screw in sensor ready. Remote control required for programming (Sensor and remote control sold separately).
- Available factory installed EEMA photocell receptacle for 3-pin EEMA devices.
- LED color maintenance < 0.00495 chromaticity shift (llu'v') over the initial 6,000 hours of operation.
- Color rendering index > 80.

* Default kelvin temperature 4000k, highest lumen output and Type III distribution.

**L70 & L90 hours are IES TM-21-11 calculated hours.

MOUNTING

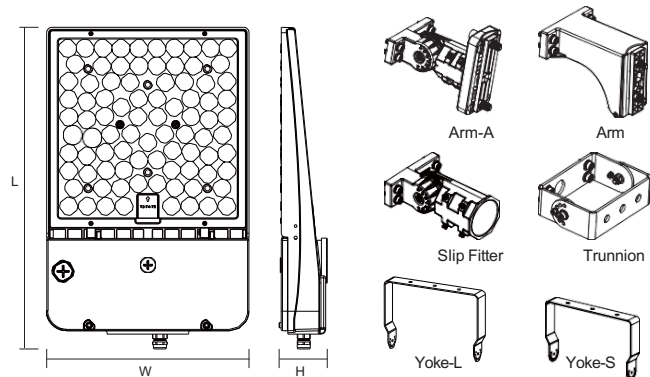
- Optional Universal Mounting kit (Arm and Slip-fitter combo).
- Optional Arm Mounting kit.
- Optional Slip-fitter Mounting kit.
- Optional Yoke Mounting kit.
- Optional Trunnion Mounting kit.

CODE COMPLIANCE

- cULus listed for wet locations.
- DLC premium listed.
- Complies with FCC part 15, class A.
- IP65 rated for ingress protection.
- IK08 rated for impact protection.

WARRANTY

- 5 year warranty on all electronics and housing.



Model #	L (in)	W (in)	H (in)	Weight (lbs)
ECO Opti-Select-242115L-3CCT	18.52	12.22	2.8	10.48
ECO Opti-Select-403530L-3CCT	21.26	13.68	2.83	12.69

ORDERING INFORMATION

Example: ECO Opti-Select-242115L-3CCT

Series	Nominal Lumen Output (Selectable)		Kelvin Selectable	Installed Receptacle
ECO Opti-Select	242115L	24,000 / 21,000 / 15,000 Lumens	3CCT 3000K/ 4000K/ 5000K	PR NEMA Photocell Receptacle
	403530L	40,000 / 35,000 / 30,000 Lumens		

* Mounting hardware sold separately. One must be ordered. Pole tenons and tenon adapters available. See all mounting accessories on page 2.

ACCESSORIES (ORDER SEPARATELY)

Sensor

ECO-HD09VR-PHS-1	=	Passive infrared sensor - maximum mounting height = 39 FT
ECO-HD09VR-MHS-1	=	Microwave step-dimming sensor - maximum mounting height = 49 FT
ECO-HD0SR	=	Remote control for HD09VR series Sensors (required to change factory settings) *HD09VR series has 5-dial setting capability.

Factory settings for Sensor : detection area =100%, hold time = 5 sec, stand-by period = 0 sec, stand-by dimming level = 10%, daylight threshold = disabled

Photocell

ECO-HD07VR-A-1	=	12VDC photocell; RCA jack, factory set to turn on at 10 lux, turns of at 100 lux Note: Screws into Sensor RCA receptacle that comes standard on the fixture.
----------------	---	--

NEMA Photocell

ECO-JL-20SC23-IP6S	=	120-277V 3-PIN NEMA Photocell; Rated up to 1800W; Turns on at 6 lux, Turns off at S0 lux
--------------------	---	--

Note: Fixture must be ordered with optional NEMA 3-pin photocell receptacle (-PR).

Mounting Option

ECO Opti-Select Universal Mount	=	Adjustable Arm Mount (round and square poles)
ECO-MPALDSR-ARM	=	Arm Mount (2-3/8" pole or pole tenon, round and square poles)
ECO-MPALDSR-SF	=	Slip Fitter (2-3/8" pole or pole tenon)
ECO-MPALDSR-YOKE-S	=	Yoke for ECO-PRO-Selectable-242115L
ECO-MPALDSR-YOKE-L	=	Yoke for ECO-PRO-Selectable-403530L
ECO-MPALDSR-TM	=	Trunnion Mount
ECO-LEDMPALPRO-D180BH	=	Double 180° Bullhorn Mounting Bracket
ECO-LEDMPALPRO-WMB	=	Wall Mount Bracket
ECO-LEDMPALPRO-WMB90	=	90° Wall Mount Bracket
ECO-4SQR-SP-D	=	4" Round Pole Tenon
ECO-5SQR-SP-D	=	5" Round Pole Tenon
ECO-4SQ-SP-D	=	4" Square Pole Tenon
ECO-5SQ-SP-D	=	5" Square Pole Tenon
ECO-R60-SP2-90-D	=	90° Double Tenon Adapter
ECO-R60-SP2-180-D	=	180° Double Tenon Adapter
ECO-R60-SP3-90-D	=	90° Triple Tenon Adapter
ECO-R60-SP3-120-D	=	120° Triple Tenon Adapter
ECO-R60-SP4-90-D	=	90° Quadruple Tenon Adapter

COMPATIBLE DIMMERS AND CONTROLS

Manufacturer	Model Number	Dimmer Range	Load Switching Capacity
Ecolume	ECODWS-010V-T	10%-100%	600W
Ecolume	ECODWS-010V-D	10%-100%	600W
Leviton	IP710-LFZ	10%-100%	1200W
Lutron	DVSTV	10%-100%	450W

EFFECTIVE PROJECTED AREAS {EPA'S}

Series	ARM MOUNT			ARM A MOUNT			SLIP FITTER MOUNT			TRUNNION MOUNT			YOKE MOUNT		
	Front (ft ²)	Side (ft ²)	Face (ft ²)	Front (ft ²)	Side (ft ²)	Face (ft ²)	Front (ft ²)	Side (ft ²)	Face (ft ²)	Front (ft ²)	Side (ft ²)	Face (ft ²)	Front (ft ²)	Side (ft ²)	Face (ft ²)
ECO Opti-Select 242115L-3CCT	1.78	0.562	0.285	1.82	0.659	0.301	1.81	0.537	0.256	1.75	0.446	0.238	1.95	0.408	0.277
ECO Opti-Select 403530L-3CCT	2.26	0.629	0.314	2.28	0.723	0.33	2.27	0.59	0.285	2.11	0.499	0.266	2.44	0.503	0.33

LUMEN TABLES

Series	Measurements	Low Lumens			Mid Lumens			High Lumens		
		3000K	4000K	5000K	3000K	4000K	5000K	3000K	4000K	5000K
ECO Opti-Select-242115L-3CCT (Set to T3)	Lumens	15,381	16,398	16,338	21,113	22,868	22,615	23,993	25,866	25,124
	Watt	109.96	107.16	109.92	161.95	156.27	162.26	190.42	182.31	189.5
	Eicacy	139.88	153.02	148.64	130.37	146.34	139.38	126.00	141.88	132.58

Series	Measurements	Low Lumens			Mid Lumens			High Lumens		
		3000K	4000K	5000K	3000K	4000K	5000K	3000K	4000K	5000K
ECO Opti-Select-242115L-3CCT (Set to T3)	Lumens	15,976	16,767	16,793	22,052	23,466	23,264	25,016	26,686	26,378
	Watt	107.35	105.1	107.26	156.47	152.33	156.16	182.33	176.91	182.22
	Eicacy	148.82	159.53	156.56	140.93	154.05	148.98	137.20	150.85	144.76

Series	Measurements	Low Lumens			Mid Lumens			High Lumens		
		3000K	4000K	5000K	3000K	4000K	5000K	3000K	4000K	5000K
ECO Opti-Select-242115L-3CCT (Set to T5)	Lumens	15,597	16,503	16,379	21,249	22,836	22,202	23,726	25,760	25,028
	Watt	110.32	107.19	109.95	162.08	156.31	161.84	189.35	181.92	189.3
	Eicacy	141.38	153.96	148.97	131.10	146.09	137.18	125.30	141.60	132.21

Series	Measurements	Low Lumens			Mid Lumens			High Lumens		
		3000K	4000K	5000K	3000K	4000K	5000K	3000K	4000K	5000K
ECO-OptiSelect-403530L-3CCT (Set to T3)	Lumens	28,358	30,523	30,063	33,217	35,499	34,522	37,668	40,931	39,524
	Watt	208.54	202.04	208.46	252.55	242.79	251.34	306.36	293.29	305.15
	Eicacy	135.98	151.07	144.21	131.53	146.21	137.35	122.95	139.56	129.52

Series	Measurements	Low Lumens			Mid Lumens			High Lumens		
		3000K	4000K	5000K	3000K	4000K	5000K	3000K	4000K	5000K
ECO-OptiSelect-403530L-3CCT (Set to T4)	Lumens	29,808	31,479	31,197	34,596	36,832	36,243	39,855	42,651	41,598
	Watt	202.7	197.61	202.17	243.2	236.45	242.7	294.12	284.53	293.19
	Eicacy	147.05	159.30	154.31	142.25	155.77	149.33	135.51	149.90	141.88

Series	Measurements	Low Lumens			Mid Lumens			High Lumens		
		3000K	4000K	5000K	3000K	4000K	5000K	3000K	4000K	5000K
ECO-OptiSelect-403530L-3CCT (Set to T5)	Lumens	28,557	30,596	30,044	32,892	35,509	34,603	37,520	40,893	39,484
	Watt	208.91	202.23	208.44	251.59	242.53	250.85	305.66	293.1	304.86
	Eicacy	136.70	151.29	144.14	130.74	146.41	137.94	122.75	139.52	129.52

ELECTRICAL DATA

Series	CCT	Input Amps (A)								
		Low Lumens			Mid Lumens			High Lumens		
		120V	240V	277V	120V	240V	277V	120V	240V	277V
ECO Opti-Select-242115L-3CCT (Set to T3)	3000K	0.92	0.46	0.40	1.35	0.67	0.58	1.59	0.79	0.69
	4000K	0.89	0.45	0.39	1.30	0.65	0.56	1.52	0.76	0.66
	5000K	0.92	0.46	0.40	1.35	0.68	0.59	1.58	0.79	0.68

Series	CCT	Input Amps (A)								
		Low Lumens			Mid Lumens			High Lumens		
		120V	240V	277V	120V	240V	277V	120V	240V	277V
ECO Opti-Select-242115L-3CCT (Set to T4)	3000K	0.89	0.45	0.39	1.30	0.65	0.56	1.52	0.76	0.66
	4000K	0.88	0.44	0.38	1.27	0.63	0.55	1.47	0.74	0.64
	5000K	0.89	0.45	0.39	1.30	0.65	0.56	1.52	0.76	0.66

Series	CCT	Input Amps (A)								
		Low Lumens			Mid Lumens			High Lumens		
		120V	240V	277V	120V	240V	277V	120V	240V	277V
ECO Opti-Select- 242115L-3CCT (Set to T5)	3000K	0.92	0.46	0.40	1.35	0.68	0.59	1.58	0.79	0.68
	4000K	0.89	0.45	0.39	1.30	0.65	0.56	1.52	0.76	0.66
	5000K	0.92	0.46	0.40	1.35	0.67	0.58	1.58	0.79	0.68

Series	CCT	Input Amps (A)								
		Low Lumens			Mid Lumens			High Lumens		
		120V	240V	277V	120V	240V	277V	120V	240V	277V
ECO-OptiSelect- 403530L-3CCT (Set to T3)	3000K	1.74	0.87	0.75	2.10	1.05	0.91	2.55	1.28	1.11
	4000K	1.68	0.84	0.73	2.02	1.01	0.88	2.44	1.22	1.06
	5000K	1.74	0.87	0.75	2.09	1.05	0.91	2.54	1.27	1.10

Series	CCT	Input Amps (A)								
		Low Lumens			Mid Lumens			High Lumens		
		120V	240V	277V	120V	240V	277V	120V	240V	277V
ECO-OptiSelect- 403530L-3CCT (Set to T4)	3000K	1.69	0.84	0.73	2.03	1.01	0.88	2.45	1.23	1.06
	4000K	1.65	0.82	0.71	1.97	0.99	0.85	2.37	1.19	1.03
	5000K	1.68	0.84	0.73	2.02	2.02	0.88	2.44	1.22	1.06

Series	CCT	Input Amps (A)								
		Low Lumens			Mid Lumens			High Lumens		
		120V	240V	277V	120V	240V	277V	120V	240V	277V
ECO-OptiSelect- 403530L-3CCT (Set to T5)	3000K	1.74	0.87	0.75	2.10	1.05	0.91	2.55	1.27	1.10
	4000K	1.69	0.84	0.73	2.02	1.01	0.88	2.44	1.22	1.06
	5000K	1.74	0.87	0.75	2.09	1.05	0.91	2.54	1.27	1.10

PHOTOMETRICS

ECO Opti-Select-242115L-3CCT (Set to T3)

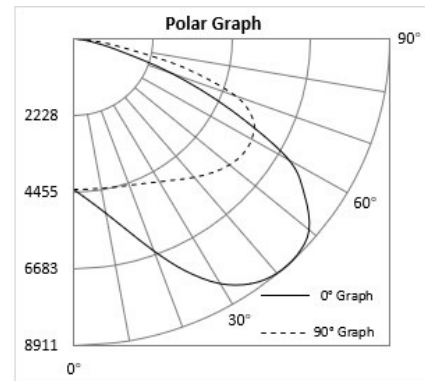
Luminaire Data

Description	CCT, Lumen, and Dist Selectable Area Light
Total Lumens	25,681
Input Wattage	182
Efficacy (lm/W)	141
Max. Cd.	8929.5 (360H, 42V)
IES Classification	Type III
Longitudinal Classification	Very Short

Photometrics calculated at 4000k CCT and highest power setting.

Luminaire Classification Systems (LCS)

LCS Zone	Lumens	%Lum
FL 0-30	2,432	9.5%
FM 30-60	8,499	33.1%
FH 60-80	3,938	15.3%
FVH 80-90	162	0.6%
BL 0-30	1,646	6.4%
BM 30-60	4,440	17.3%
BH 60-80	4,049	15.8%
BVH 80-90	515	2.0%
UL 90-100	0	0.0%
UH 100-180	0	0.0%
Total	25,681	100.0%
BUG Rating	B4-U0-G4	



ECO Opti-Select-242115L-3CCT (Set to T4)

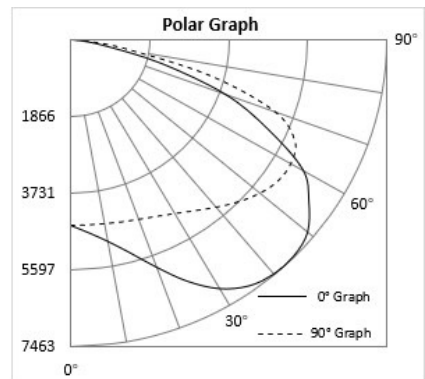
Luminaire Data

Description	CCT, Lumen, and Dist Selectable Area Light
Total Lumens	26,679
Input Wattage	176
Efficacy (lm/W)	151
Max. Cd.	7473.9 (360H, 42V)
IES Classification	Type IV
Longitudinal Classification	Very Short

Photometrics calculated at 4000k CCT and highest power setting.

Luminaire Classification Systems (LCS)

LCS Zone	Lumens	%Lum
FL 0-30	2,291	8.6%
FM 30-60	7,642	28.6%
FH 60-80	4,287	16.1%
FVH 80-90	208	0.8%
BL 0-30	1,827	6.8%
BM 30-60	5,474	20.5%
BH 60-80	4,498	16.9%
BVH 80-90	452	1.7%
UL 90-100	0	0.0%
UH 100-180	0	0.0%
Total	26,679	100.0%
BUG Rating	B4-U0-G4	



ECO Opti-Select-242115L-3CCT (Set to T5)

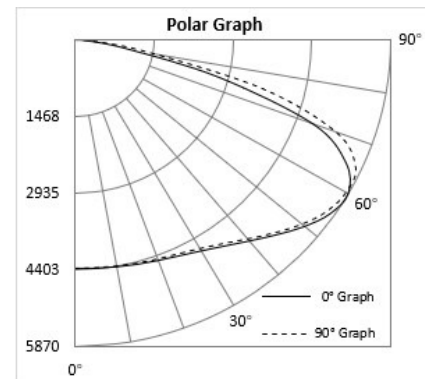
Luminaire Data

Description	CCT, Lumen, and Dist Selectable Area Light
Total Lumens	25,872
Input Wattage	182
Efficacy (lm/W)	142
Max. Cd.	6052.4 (45H, 62V)
IES Classification	Type VS
Longitudinal Classification	Short

Photometrics calculated at 4000k CCT and highest power setting.

Luminaire Classification Systems (LCS)

LCS Zone	Lumens	%Lum
FL 0-30	1,902	7.4%
FM 30-60	6,142	23.7%
FH 60-80	4,524	17.5%
FVH 80-90	238	0.9%
BL 0-30	1,879	7.3%
BM 30-60	6,006	23.2%
BH 60-80	4,843	18.7%
BVH 80-90	338	1.3%
UL 90-100	0	0.0%
UH 100-180	0	0.0%
Total	25,872	100.0%
BUG Rating	B4-U0-G3	



ECO Opti-Select-403530L-3CCT (Set to T3)

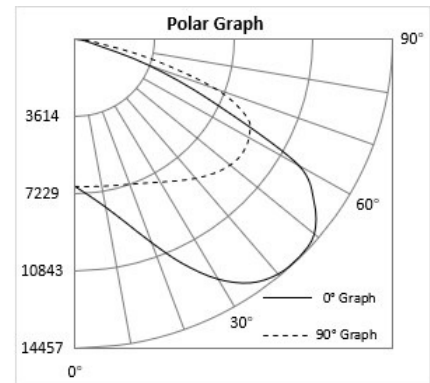
Luminaire Data

Description	CCT, Lumen, and Dist Selectable Area Light
Total Lumens	40,722
Input Wattage	290
Efficacy (lm/W)	140
Max. Cd.	14465 (360H, 44V)
IES Classification	Type III
Longitudinal Classification	Very Short

Photometrics calculated at 4000k CCT and highest power setting.

Luminaire Classification Systems (LCS)

LCS Zone	Lumens	%Lum
FL 0-30	3,792	9.3%
FM 30-60	13,708	33.7%
FH 60-80	6,459	15.9%
FVH 80-90	247	0.6%
BL 0-30	2,598	6.4%
BM 30-60	6,973	17.1%
BH 60-80	6,272	15.4%
BVH 80-90	672	1.7%
UL 90-100	0	0.0%
UH 100-180	0	0.0%
Total	40,722	100.0%
BUG Rating	B5-U0-G5	



ECO Opti-Select-403530L-3CCT (Set to T4)

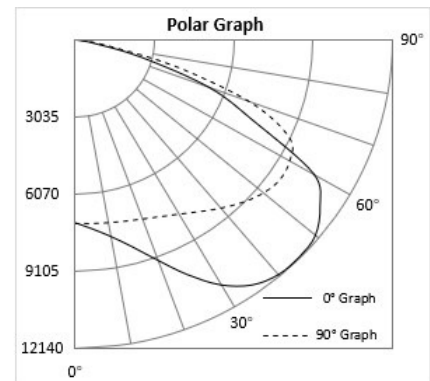
Luminaire Data

Description	CCT, Lumen, and Dist Selectable Area Light
Total Lumens	42,479
Input Wattage	282
Efficacy (lm/W)	151
Max. Cd.	12150 (360H, 43V)
IES Classification	Type IV
Longitudinal Classification	Very Short

Photometrics calculated at 4000k CCT and highest power setting.

Luminaire Classification Systems (LCS)

LCS Zone	Lumens	%Lum
FL 0-30	3,613	8.5%
FM 30-60	12,336	29.0%
FH 60-80	7,002	16.5%
FVH 80-90	315	0.7%
BL 0-30	2,909	6.8%
BM 30-60	8,725	20.5%
BH 60-80	6,987	16.4%
BVH 80-90	591	1.4%
UL 90-100	0	0.0%
UH 100-180	0	0.0%
Total	42,479	100.0%
BUG Rating	B5-U0-G5	



ECO Opti-Select-403530L-3CCT (Set to T5)

Luminaire Data

Description	CCT, Lumen, and Dist Selectable Area Light
Total Lumens	41,022
Input Wattage	290
Efficacy (lm/W)	142
Max. Cd.	9674.1 (22.5H, 61V)
IES Classification	Type VS
Longitudinal Classification	Very Short

Photometrics calculated at 4000k CCT and highest power setting.

Luminaire Classification Systems (LCS)

LCS Zone	Lumens	%Lum
FL 0-30	3,027	7.4%
FM 30-60	9,746	23.8%
FH 60-80	7,354	17.9%
FVH 80-90	360	0.9%
BL 0-30	3,008	7.3%
BM 30-60	9,607	23.4%
BH 60-80	7,498	18.3%
BVH 80-90	421	1.0%
UL 90-100	0	0.0%
UH 100-180	0	0.0%
Total	41,022	100.0%
BUG Rating	B5-U0-G3	

