

Project:	
Type:	
Catalog #:	



STANDARD



ILLUMINATION

- Two fully adjustable semi-recessed, round MR16 lamp heads for optimal light distribution
- Ultra-bright, energy efficient, long-life White LED lamps provide up to 76-ft center-to-center spacing with 3-ft path of egress at 7.5-ft mounting height.

ELECTRICAL

- Dual 120/277 voltage.
- Charge rate/power “ON” LED indicator light and push-to-test switch for mandated code compliance testing.
- LVD (low voltage disconnect) prevents battery from deep discharge.
- Offers 36W of remote capacity.
- 6V maintenance-free, rechargeable sealed lead acid battery.
- Internal solid-state transfer switch automatically connects the internal battery to lamp heads for minimum 90-minute emergency illumination.
- Fully automatic solid-state, two rate charger initiates battery charging to recharge a discharged battery in 24 hours.

MOUNTING

- Surface mount via easy connect back plate, which fits most standard junction boxes and snaps into place making internal electrical connections.
- Conduit mount knockout on top of housing and backplate.
- Suitable for wall mount.

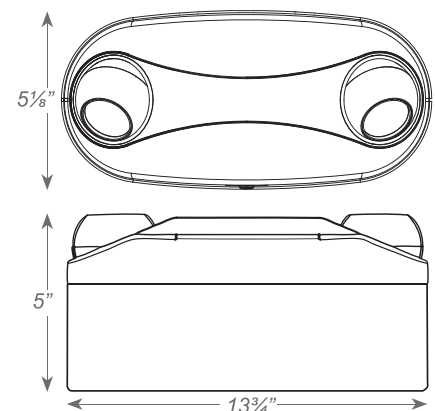
HOUSING

- Injection-molded, engineering grade, 5VA flame retardant, high-impact resistant, thermoplastic in white or black finish.

WARRANTY / LISTING

- Five year warranty on all electronics and housing. Battery prorated for two years.
- Meets UL924, NFPA 101 Life Safety Code, NEC, OSHA, Local and State Codes.
- UL Listed for damp locations (20°C – 40°C).

DIMENSIONS



ORDERING INFORMATION

Sample Part Number: **ECO-RMR-16-65-PLED**

MODEL	HOUSING COLOR	LAMP
ECO-RMR-16-65 (6 Volt)	(blank) White	PLED 7.0W High Lumen White LED Lamps
ECO-RMR-16-65 (12 Volt)	B Black	

Project:	
Type:	
Catalog #:	

ELECTRICAL INFORMATION

CATALOG NUMBER	INPUT WATTS (W)		INPUT AMPS (A)	
	120V	277V	120V	277V
ECO-RMR-16-65-PLED	11.4	11.4	0.12	0.05
ECO-RMR-16-125-PLED	11.5	11.7	0.12	0.05

REMOTE LAMP COMPATIBILITY

MODEL NUMBER	BATTERY	REMOTE CAPACITY	COMPATIBLE REMOTE HEAD FAMILY												
			RHLED			RH16LED	RH16		RH		RHR		SRH		SRHLED
			3.6V	9.6V	MV		6V	12V	6V	12V	6V	12V	6V	12V	
ECO-RMR-16-65-PLED	6V	36W			X	X	X		X		X		X		X
ECO-RMR-16-125-PLED	12V	36W			X	X		X		X		X		X	