

Project:	
Type:	
Catalog #:	

STANDARD



OPTIONAL



ILLUMINATION

- Two fully adjustable 5W, MR-16 halogen lamp heads standard.
- Optional 3.3W white LED lamp heads.

ELECTRICAL

- Offers 10W of remote capacity (6V DC output) when using standard 5W halogen lamps and 13W of remote capacity (6V DC output) when using optional 3.3W LED lamps.
- Dual 120/277 voltage.
- Charge rate/power "ON" LED indicator light and push-to-test switch for mandated code compliance testing.
- LVD (low voltage disconnect) prevents battery from deep discharge.
- 6V maintenance-free, rechargeable sealed lead acid battery.
- Internal solid-state transfer switch automatically connects the internal battery to lamp heads for minimum 90-minute emergency illumination.
- Fully automatic solid-state, two rate charger initiates battery charging to recharge a discharged battery in 24 hours.

MOUNTING

- Surface mount via easy connect back plate, which fits most standard junction boxes and snaps into place making internal electrical connections.
- Knockout for conduit applications.
- Suitable for wall mount.

HOUSING

- Injection-molded, engineering grade, 5VA flame retardant, high-impact resistant, thermoplastic in white or black finish.

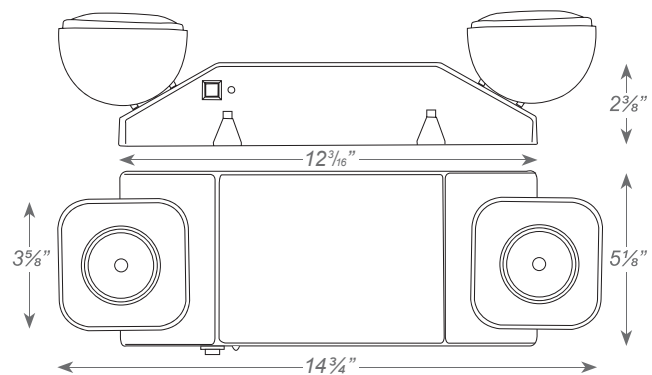
OPTIONS

- SDT: Self-diagnostic feature performs monthly, biannual, and annual tests to ensure reliable operation and meet electrical and life safety codes.
- USA: Substantial transformation assembly in the U.S. complies with "Assembled in the USA" under the Buy American Act.
- LED: 3.3W high performance MR-16 base LED lamps.
- PLED: 5.0W High Lumen White LED Lamps for premium center-to-center spacing.

WARRANTY / LISTING

- Five year warranty on all electronics and housing. Battery pro rated for two years.
- Meets UL924, NFPA 101 Life Safety Code, NEC, OSHA, Local and State Codes.
- UL Listed for damp locations (20°C – 40°C).

DIMENSIONS



ORDERING INFORMATION

Sample Part Number: **ECO-R-16HO**

	MODEL	HOUSING COLOR		OPTIONS	
Special voltage options available. Check with your Best Lighting representative.	ECO-R-16-HO	Blank	White	SDT	Self-Diagnostics
		B	Black	USA	Assembled in USA
				LED ¹	3.3W High Lumen White LED Lamp
				PLED ¹	5.0W High Lumen White LED Lamp

¹ Not available with SDT option.

Project:	
Type:	
Catalog #:	

ELECTRICAL INFORMATION

CATALOG NUMBER	INPUT WATTS (W)		INPUT AMPS (A)	
	120V	277V	120V	277V
ECO-R-16HO	3.7	4.2	0.039	0.022
ECO-R-16HO-SDT	5.2	5.2	0.06	0.03

REMOTE LAMP COMPATIBILITY

MODEL NUMBER	BATTERY	REMOTE CAPACITY	COMPATIBLE REMOTE HEAD FAMILY												
			RHLED			RH16LED	RH16		RH		RHR		SRH		SRHLED
			3.6V	9.6V	MV		6V	12V	6V	12V	6V	12V	6V	12V	
ECO-R-16HO	6V	10W			X	X	X		X		X		X		X
ECO-R-16HO-LED	6V	13W			X	X	X		X		X		X		X