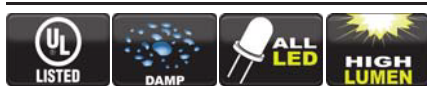


<b>Project:</b>	
<b>Type:</b>	
<b>Catalog #:</b>	



### STANDARD



### ILLUMINATION

- Long lasting, efficient ultra bright white LED lamp heads.
- 1.7W (8 LEDs x 0.2125) per head.
- High performance chrome-plated metallized reflector and plastic lens for optimal light distribution.
- Adjustable LED lamp heads provides optimal center-to-center spacing.

### ELECTRICAL

- Dual 120/277 voltage standard.
- Charge rate/power "ON" LED indicator light and push-to-test switch for mandated code compliance testing.
- 3.6V long life, maintenance-free, rechargeable NiCd battery.
- Internal solid-state transfer switch automatically connects the internal battery to LED lamp heads for minimum 90-minute emergency illumination.
- Fully automatic solid-state, two rate charger initiates battery charging to recharge a discharged battery in 24 hours.

### MOUNTING

- Surface mount via quick-connect back plate fits most standard size junction boxes and snaps into place to make internal electrical connections.
- Knockout for conduit applications.
- Suitable for wall or ceiling mount.

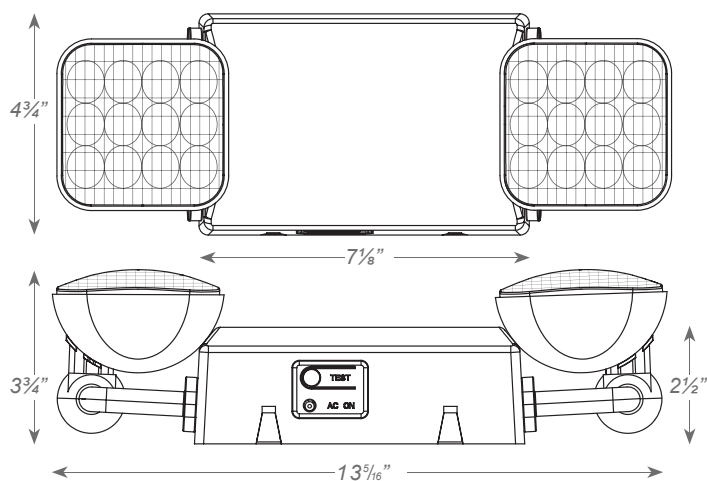
### HOUSING

- Injection-molded, engineering grade, 5VA flame retardant, high-impact resistant, thermoplastic in white or black finish.

### WARRANTY / LISTING

- Five year warranty on all electronics and housing. Battery pro rated for five years.
- Meets UL924, NFPA 101 Life Safety Code, NEC, OSHA, Local and State Codes.
- UL Listed for damp locations. (0°C – 50°C)

### DIMENSIONS



### ORDERING INFORMATION

Sample Part Number: **ECO-LEDRX-5HL**

MODEL	HOUSING COLOR	
ECO-LEDRX-5HL	Blank	White
	B	Black

Special voltage options available. Check with your Best Lighting representative.

<b>Project:</b>	
<b>Type:</b>	
<b>Catalog #:</b>	

### ELECTRICAL INFORMATION

CATALOG NUMBER	INPUT WATTS (W)		INPUT AMPS (A)	
	120V	277V	120V	277V
ECO-LEDRX-5HL	2.3	2.4	0.023	0.011

### CENTER-TO-CENTER SPACING GUIDELINES

For reference only.



1	0.06	0.12	0.22	0.23	0.48	0.89	0.88	1.18	1.14	1.12	0.98	0.98	0.99	1.16	1.21	1.08	0.98	0.76	0.94	0.55	0.22	0.22	0.10	0.06
2	0.09	0.21	0.29	0.26	0.46	1.23	1.17	2.00	2.25	1.26	1.78	1.26	1.18	1.98	2.23	2.20	1.89	1.09	0.64	0.65	0.43	0.23	0.10	0.07
3	0.09	0.21	0.32	0.37	1.12	1.98	2.13	3.01	2.45	2.86	1.33	1.20	1.10	1.98	2.26	3.96	2.56	2.08	1.21	0.72	0.48	0.26	0.12	0.07
4	0.12	0.23	0.33	0.39	1.03	2.00	3.86	4.08	3.13	3.00	2.34	1.33	1.69	2.01	2.45	4.06	3.95	2.36	1.10	0.65	0.32	0.28	0.15	0.10
5	0.15	0.30	0.35	0.43	0.96	1.15	2.73	2.80	2.95	2.86	1.14	1.08	1.17	1.87	2.37	2.00	2.87	2.06	1.02	0.73	0.32	0.29	0.12	0.11
6	0.15	0.28	0.41	0.53	0.68	0.83	1.21	1.78	1.98	1.24	1.10	0.91	0.74	0.84	1.25	1.10	1.98	1.23	0.97	0.38	0.30	0.32	0.13	0.10
	12	11	10	9	8	7	6	5	4	3	2	1	0	1	2	3	4	5	6	7	8	9	10	11

Meets NFPA 101 Requirements for: 22' center-to-center spacing - 6' path of egress 0' from the wall- 7½' mounting height.