

Project:	
Type:	
Catalog #:	

STANDARD

OPTIONAL



ILLUMINATION

- Two fully adjustable, ultra bright 3.6 watt high performance MR-16 base LED lamp heads for optimized center-to-center spacing.

ELECTRICAL

- Powered from low voltage 6V/12V DC power source with low voltage wiring (not provided).

MOUNTING

- Universal knockout pattern on back provided with gasket for watertight seal for back mount.
- Distance of maximum run is determined by system voltage, wire gauge and total maximum wattage on the run.
- Suitable for wall or ceiling mount.

HOUSING

- Housing is reinforced polycarbonate construction in white or black finish.
- Corrosion-resistant enclosure with one piece, high-impact resistant, UV stabilized polycarbonate lens and molded gasket with stainless steel screws.
- Knockouts provided for conduit feed applications.

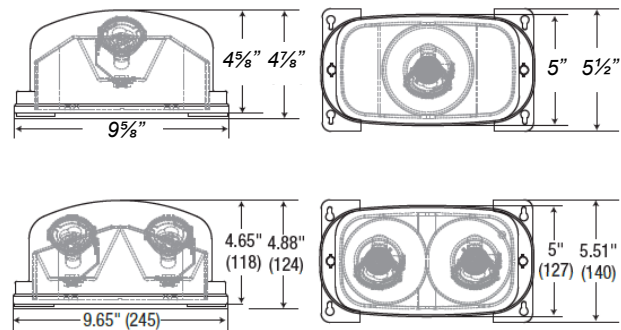
OPTIONS

- TP: Tamper-proof hardware helps discourage unauthorized access to the unit.

WARRANTY / LISTING

- Five year warranty.
- UL listed with approved Best Lighting Products.
- IP66 rated for Ingress protection.
- NEMA4X rated.
- Meets UL924, NFPA 101 Life Safety Code, NEC, OSHA, Local and State Codes.
- UL certified for use in food service operations.

DIMENSIONS



FIXTURE COMPATIBILITY CHART

Reference individual unit equipment specification sheets for remote load capacity availability.

ECOLUME MODEL TYPE		
ECO-CWLEZXT-RC	ECO-DXR	ECO-HLCWLEZ
ECO-RMR-16-65/125	ECO-LEDSDXR	ECO-LEMR
ECO-LEDTFX-2	ECO-CEMTXE	ECO-HLCWLEZU

ORDERING INFORMATION

Sample Part Number: ECO-INDRHLED16-1B

MODEL	HEADS	HOUSING COLOR	OPTIONS
ECO-INDRHLED16	1	W	TP
	2	B	
	Single	White	Tamper-Proof
	Twin	Black	