

Project:	
Type:	
Catalog #:	



STANDARD



OPTIONAL

ILLUMINATION

- Ultra-bright, energy efficient, long-life Red or Green LED EXIT sign illumination.

ELECTRICAL

- Dual 120/277 voltage.
- Unique bi-color LED indicator light alerts occupant on battery condition (Green-normal, Red-check battery).
- Charge rate/power "ON" LED indicator light and push-to-test switch for mandated code compliance testing.
- 3.6V long life, maintenance-free, rechargeable NiCd battery.
- 5.5W of remote capacity standard.
- Internal solid-state transfer switch automatically connects the internal battery to LED board and connected LED lamp heads for minimum 90-minute emergency illumination.
- Fully automatic solid-state, two rate charger initiates battery charging to recharge a discharged battery in 24 hours.

MOUNTING

- Mounting canopy included for top or end mount.
- Universal knockout pattern on back plate for wall mount.

HOUSING

- Injection-molded, engineering grade, 5VA flame retardant, high-impact resistant, thermoplastic in white or black finish.
- Snap-out Chevron directional indicators.

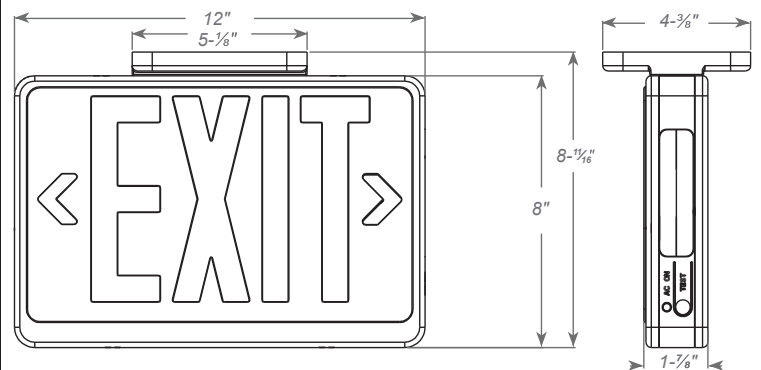
OPTIONS

- SDT: Self-diagnostic feature performs monthly, biannual, and annual tests to ensure reliable operation and meet electrical and life safety codes. Universal 120-277 voltage

WARRANTY / LISTING

- Five-year warranty on all electronics and housing. Battery prorated for five years.
- Meets UL924, NFPA 101 Life Safety Code, NEC, OSHA, Local and State Codes.
- UL Listed for damp locations (0°C – 50°C).
- Certified to CEC under Title 20 Regulations.

DIMENSIONS



ORDERING INFORMATION

Sample Part Number: **ECO-CEMXTERW**

MODEL	No. of FACES	LETTER COLOR	HOUSING COLOR	OPTIONS
ECO-CEMXTE	Universal Single/ Double Face	R Red	W White	SDT Self-Diagnostics
		G Green	B Black	USA Assembled in USA

Project:	
Type:	
Catalog #:	

ELECTRICAL INFORMATION

CATALOG NUMBER	INPUT WATTS (W)		INPUT AMPS (A)	
	120V	277V	120V	277V
ECO-CEMXTE RED/GREEN	1.2	1.2	0.12	0.11
ECO-CEMXTE RED SDT	3.0	3.0	0.36	0.36
ECO-CEMXTE GREEN SDT	3.0	3.0	0.34	0.34

REMOTE LAMP COMPATIBILITY

MODEL NUMBER	BATTERY	REMOTE CAPACITY	COMPATIBLE REMOTE HEAD FAMILY			
			RHLED	MRHLED	RH16LED	SRHLED
ECO-CEMXTE	3.6V	5.5W	X	X		