

STANDARD

OPTIONAL



ILLUMINATION

- Provides constant current (350 or 500 mA) output to the load during emergency mode operation.
- Can be operated as NORMALLY-ON, NORMALLY-OFF or SWITCHED LOAD.

ELECTRICAL

- Universal 120-277V, 50/60 Hz input.
- Charge/Power "ON" LED indicator light and push-to-test switch for mandated code compliance testing.
- Long-life, maintenance free, rechargeable NiCad battery.
- Output short/overcurrent protection: Electronic limiting, with normal operation resuming upon removal of fault.
- 90 Minute minimum emergency operating time over full temperature range.
- 24 Hour maximum battery recharge time.
- LED emergency driver is equipped with a switch to choose 350mA or 500mA constant current output.
- Output classification: Class 2 Compliant.
- Surge protection: Per C62.41 (TVS).
- Input overcurrent protection: Fusible link.

HOUSING

- LED illuminated and remote mounted test switch.
- Injection-molded, engineering grade, 5VA flame retardant, high-impact resistant, thermoplastic in a black finish.

MOUNTING

- Suitable for installation inside or top of the fixture.

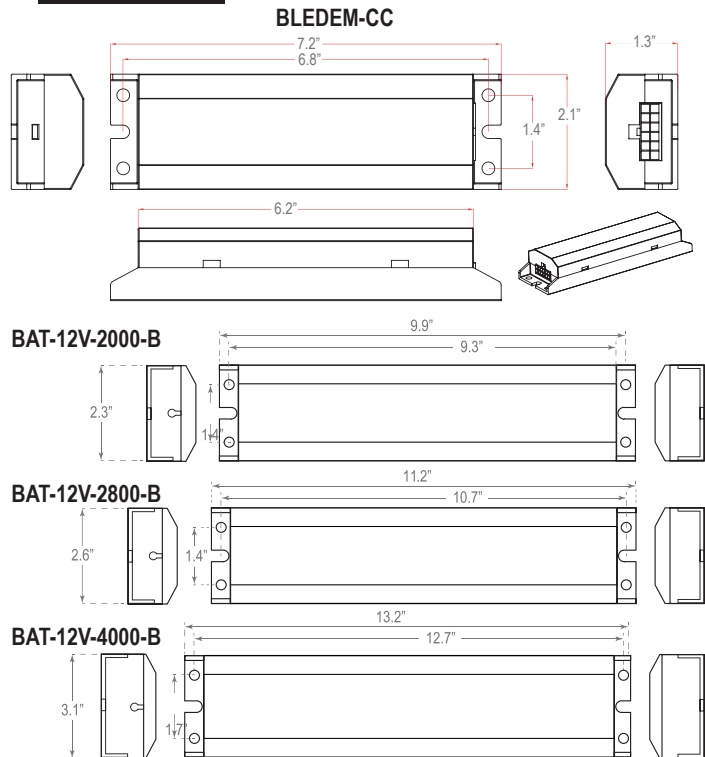
OPTIONS

- CEC: Certified to CEC under Title 20 regulations

WARRANTY / LISTING

- UL Recognized for factory installation.
- Suitable for damp locations (0°C - 50°C).
- 5 year warranty on all electronics and housing.
- Meets UL924, NFPA 101 Life Safety Code, NEC, OSHA, Local and State codes.

DIMENSIONS



ORDERING INFORMATION

MODEL	OUTPUT RATINGS			OPTIONS	
	CURRENT (mA)	VOLTAGE (VDC)	POWER (W)	CEC	Title 20 Compliant
BLEDEM-CC	1428/350	350	14-28	CEC	Title 20 Compliant
	1442/350	350	14-42		
	1450/350	350	14-50		
	1420/500	500	14-20		
	1440/500	500	14-40		
1430/500	500	14-30	7.0 - 15		