

| | |
|------------|--|
| Project: | |
| Type: | |
| Catalog #: | |

STANDARD



FEATURES

- Field selectable 3000k (warm white), 4000k (neutral white), and 5000k (cool white) color temperatures.
- Long-life LEDs provide 162,000 hours of operation with at least 70% of initial lumen output (L_{70}), and 49,000 hours with at least 90% of initial lumen output (L_{90}).
- LED chromaticity based on ≤ 6 -step ANSI quadrangles.
- LED color maintenance ≤ 0.002 chromaticity shift ($\Delta u'v'$) over the initial 6,000 hours of operation.
- Provides a range of 14,000 to 40,000 nominal lumens.
- IES roadway distributions include types III & V.
- Universal 120-277V (50/60Hz) or 277-480V (50/60Hz) AC voltage with 6-foot incoming power cords.
- 0-10vdc dimming drivers are standard.
- Watertight, compression-type electrical connectors.
- Power factor > 0.90 .
- Total harmonic distortion $< 20\%$.
- Color rendering index (R_a) > 80 .
- Optional NEMA photocell receptacle & photocell.
- Wall mount brackets and tenon adapters available (see page 6).
- Die cast aluminum housing with dark bronze powder coat finish.
- Polycarbonate lens.
- Easy installation in new construction or retrofit.

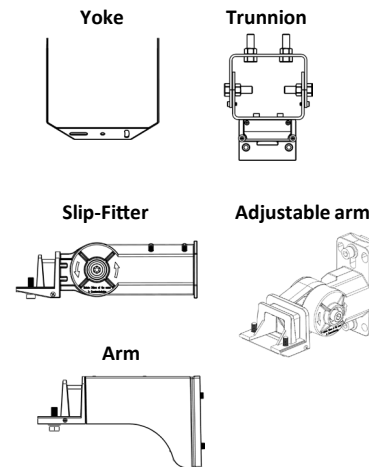
** L_{70} hours are IES TM-21-11 calculated hours.



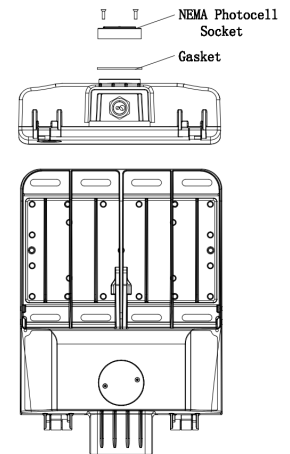
WARRANTY & LISTINGS

- cULus listed for wet locations in ambient temperatures from -40°C to 50°C (-40°F to 122°F).
- DLC premium approved.
- Rated for 3G vibration.
- Lenses are rated IK08.
- Input transient surge protection (6kV).
- Complies with FCC Part 15, class A.
- IP65 rated for ingress protection.
- 5-year warranty of all electronics and housing.

MOUNTING OPTIONS *



NEMA PHOTOCELL



ORDERING INFORMATION

Example: ECO-PRO-24L-LKFS-T3-P

| Series | Nominal Lumen Output Selectable | | Select | Distribution | | Input Voltage | | NEMA Photocell Receptacle* | |
|---------|---------------------------------|----------------------|-----------------|--------------|--------|---------------|---------|----------------------------|---------------------------------|
| | 24L | 40L | | T3 | T5 | Blank | UNC | Blank | P |
| ECO-PRO | 24L | 24,000/20,000/14,000 | LKFS 3K/4K/5K | Type III | Type V | 120-277 | 277-480 | No receptacle | 3-pin NEMA photocell receptacle |
| | 40L | 40,000/34,000/28,000 | | Blank | | UNC | | | |

*NEMA photocell sold separately:

*Mounting hardware sold separately. One must be ordered. Pole tenons and tenon adapters available. See all mounting accessories on page 2.

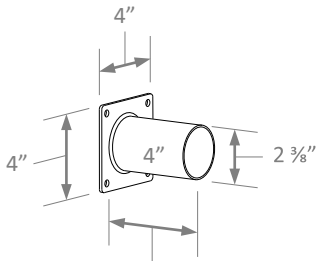
ACCESSORIES (order separately)

NEMA PHOTOCELLS

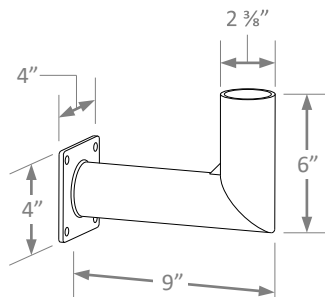
- JL-205C23-IP65 = 3-PIN NEMA Photocell Multi-volt 120-277; Rated up to 1800W; Pre-set 5-30 second time delay; Turns on at 6 Lux, Turns off at 50lux.
- 26WA86 = 480V 3-PIN NEMA Photocell; Rated up to 1800W; Turns on at 10-20 lux, turns off at 30-60 lux.

MOUNTING ACCESSORIES (Order Separately)

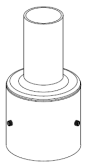
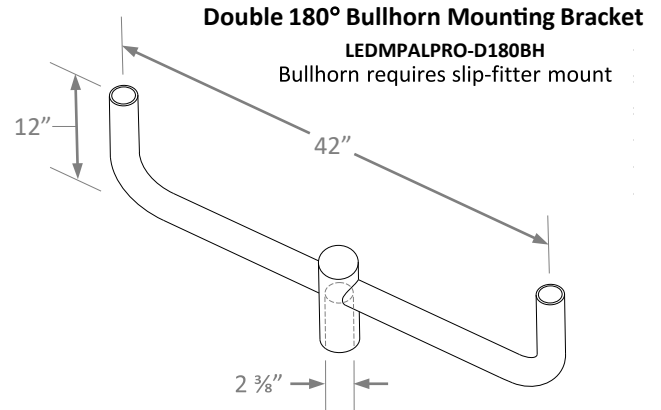
- MPAL-ARM = Arm Mount
- MPAL-ARM-A = Adjustable Arm Mount
- MPAL-SF = Slip-fitter
- MPAL-TM = Trunnion Mount
- MPALPRO-YM = Yoke Mount



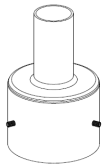
Wall Mount Bracket
LEDMPALPRO-WMB



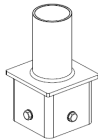
Wall Mount Bracket, 90°
LEDMPALPRO-WMB90



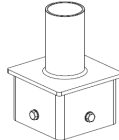
4SQR-SP-D



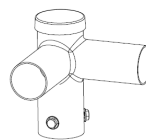
5SQR-SP-D



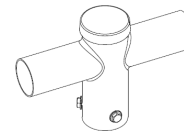
4SQ-SP-D



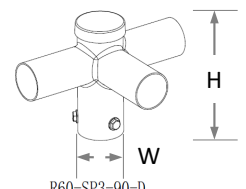
5SQ-SP-D



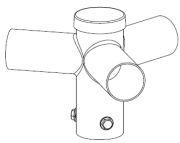
R60-SP2-90-D



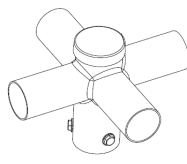
R60-SP2-180-D



R60-SP3-90-D



R60-SP3-120-D



R60-SP4-90-D

| Part Number | Description | L | W | H |
|---------------|-----------------------------|------|---------|------|
| 4SQR-SP-D | 4" round pole tenon | - | 4.2" | 8.6" |
| 5SQR-SP-D | 5" round pole tenon | - | 5.2" | 8.6" |
| 4SQ-SP-D | 4" square pole tenon | 3.6" | 3.6" | 7.2" |
| 5SQ-SP-D | 5" square pole tenon | 4.6" | 4.6" | 7.2" |
| R60-SP2-90-D | Tenon adapter 90° double | - | ID 2.5" | 7.3" |
| R60-SP2-180-D | Tenon adapter 180° double | - | ID 2.5" | 7.3" |
| R60-SP3-90-D | Tenon adapter 90° triple | - | ID 2.5" | 7.3" |
| R60-SP3-120-D | Tenon adapter 120° triple | - | ID 2.5" | 7.3" |
| R60-SP4-90-D | Tenon adapter 90° quadruple | - | ID 2.5" | 7.3" |

ELECTRICAL DATA

| Series | Measurements | Low Lumens | | | Mid Lumens | | | High Lumens | | |
|---------------------|-------------------|--------------|--------------|--------------|--------------|--------------|--------------|--------------|--------------|--------------|
| | | 3000K | 4000K | 5000K | 3000K | 4000K | 5000K | 3000K | 4000K | 5000K |
| ECO-PRO-24L-LKFS-T3 | Lumens | 14,649 | 16,173 | 15,115 | 20,273 | 22,824 | 20,939 | 24,056 | 26,598 | 24,591 |
| | Watts | 101 | 100 | 102 | 150 | 146 | 152 | 186 | 178 | 187 |
| | Efficacy | 145 | 162 | 148 | 135 | 156 | 138 | 130 | 150 | 131 |
| | Input Current (A) | 120V = 0.84A | 120V = 0.83A | 120V = 0.85A | 120V = 1.25A | 120V = 1.22A | 120V = 1.27A | 120V = 1.55A | 120V = 1.48A | 120V = 1.56A |
| 240V = 0.42A | | 240V = 0.42A | 240V = 0.43A | 240V = 0.63A | 240V = 0.61A | 240V = 0.63A | 240V = 0.78A | 240V = 0.74A | 240V = 0.78A | |
| 277V = 0.36A | | 277V = 0.36A | 277V = 0.37A | 277V = 0.54A | 277V = 0.53A | 277V = 0.55A | 277V = 0.67A | 277V = 0.64A | 277V = 0.68A | |
| Series | Measurements | Low Lumens | | | Mid Lumens | | | High Lumens | | |
| | | 3000K | 4000K | 5000K | 3000K | 4000K | 5000K | 3000K | 4000K | 5000K |
| ECO-PRO-24L-LKFS-T5 | Lumens | 15,049 | 16,748 | 15,656 | 20,616 | 23,398 | 21,498 | 24,156 | 26,788 | 25,153 |
| | Watts | 101 | 100 | 102 | 150 | 145 | 151 | 186 | 178 | 187 |
| | Efficacy | 149 | 167 | 154 | 137 | 161 | 142 | 130 | 150 | 134 |
| | Input Current (A) | 120V = 0.84A | 120V = 0.83A | 120V = 0.85A | 120V = 1.25A | 120V = 1.21A | 120V = 1.26A | 120V = 1.55A | 120V = 1.48A | 120V = 1.56A |
| 240V = 0.42A | | 240V = 0.42A | 240V = 0.43A | 240V = 0.63A | 240V = 0.60A | 240V = 0.63A | 240V = 0.78A | 240V = 0.74A | 240V = 0.78A | |
| 277V = 0.36A | | 277V = 0.36A | 277V = 0.37A | 277V = 0.54A | 277V = 0.52A | 277V = 0.55A | 277V = 0.67A | 277V = 0.64A | 277V = 0.68A | |
| Series | Measurements | Low Lumens | | | Mid Lumens | | | High Lumens | | |
| | | 3000K | 4000K | 5000K | 3000K | 4000K | 5000K | 3000K | 4000K | 5000K |
| ECO-PRO-40L-LKFS-T3 | Lumens | 28,924 | 32,211 | 30,104 | 33,874 | 37,248 | 35,140 | 40,091 | 44,173 | 41,188 |
| | Watts | 204 | 198 | 204 | 248 | 232 | 247 | 303 | 284 | 303 |
| | Efficacy | 142 | 163 | 148 | 137 | 160 | 142 | 132 | 156 | 136 |
| | Input Current (A) | 120V = 1.70A | 120V = 1.65A | 120V = 1.70A | 120V = 2.07A | 120V = 1.93A | 120V = 2.06A | 120V = 2.53A | 120V = 2.37A | 120V = 2.53A |
| 240V = 0.85A | | 240V = 0.82A | 240V = 0.85A | 240V = 1.03A | 240V = 0.97A | 240V = 1.03A | 240V = 1.26A | 240V = 1.18A | 240V = 1.26A | |
| 277V = 0.74A | | 277V = 0.71A | 277V = 0.74A | 277V = 0.90A | 277V = 0.84A | 277V = 0.89A | 277V = 1.09A | 277V = 1.03A | 277V = 1.09A | |
| Series | Measurements | Low Lumens | | | Mid Lumens | | | High Lumens | | |
| | | 3000K | 4000K | 5000K | 3000K | 4000K | 5000K | 3000K | 4000K | 5000K |
| ECO-PRO-40L-LKFS-T5 | Lumens | 29,447 | 33,006 | 30,873 | 34,329 | 37,862 | 35,862 | 39,723 | 44,079 | 41,462 |
| | Watts | 204 | 197 | 203 | 247 | 231 | 246 | 298 | 283 | 297 |
| | Efficacy | 144 | 168 | 152 | 139 | 164 | 146 | 133 | 156 | 140 |
| | Input Current (A) | 120V = 1.70A | 120V = 1.64A | 120V = 1.69A | 120V = 2.06A | 120V = 1.93A | 120V = 2.05A | 120V = 2.48A | 120V = 2.36A | 120V = 2.48A |
| 240V = 0.85A | | 240V = 0.82A | 240V = 0.85A | 240V = 1.03A | 240V = 0.96A | 240V = 1.03A | 240V = 1.24A | 240V = 1.18A | 240V = 1.24A | |
| 277V = 0.74A | | 277V = 0.71A | 277V = 0.73A | 277V = 0.89A | 277V = 0.83A | 277V = 0.89A | 277V = 1.08A | 277V = 1.02A | 277V = 1.07A | |

ELECTRICAL DATA

| Series | Measurements | Low Lumens | | | Mid Lumens | | | High Lumens | | |
|-------------------------|-------------------|--------------|--------------|--------------|--------------|--------------|--------------|--------------|--------------|--------------|
| | | 3000K | 4000K | 5000K | 3000K | 4000K | 5000K | 3000K | 4000K | 5000K |
| ECO-PRO-24L-LKFS-T3-UNC | Lumens | 13,690 | 14,765 | 14,335 | 20,219 | 22,312 | 21,049 | 24,196 | 26,737 | 24,925 |
| | Watts | 99 | 96 | 100 | 153 | 149 | 155 | 192 | 183 | 193 |
| | Efficacy | 139 | 154 | 143 | 132 | 150 | 135 | 126 | 146 | 129 |
| | Input Current (A) | 277V = 0.36A | 277V = 0.35A | 277V = 0.36A | 277V = 0.55A | 277V = 0.54A | 277V = 0.56A | 277V = 0.69A | 277V = 0.66A | 277V = 0.70A |
| 347V = 0.29A | | 347V = 0.28A | 347V = 0.29A | 347V = 0.44A | 347V = 0.43A | 347V = 0.45A | 347V = 0.55A | 347V = 0.53A | 347V = 0.56A | |
| 480V = 0.21A | | 480V = 0.20A | 480V = 0.21A | 480V = 0.32A | 480V = 0.31A | 480V = 0.32A | 480V = 0.40A | 480V = 0.38A | 480V = 0.40A | |
| Series | Measurements | Low Lumens | | | Mid Lumens | | | High Lumens | | |
| | | 3000K | 4000K | 5000K | 3000K | 4000K | 5000K | 3000K | 4000K | 5000K |
| ECO-PRO-24L-LKFS-T5-UNC | Lumens | 13,916 | 14,870 | 14,480 | 20,405 | 22,381 | 21,093 | 24,505 | 26,840 | 25,382 |
| | Watts | 98 | 95 | 99 | 152 | 147 | 153 | 192 | 183 | 193 |
| | Efficacy | 142 | 157 | 147 | 134 | 153 | 138 | 128 | 147 | 131 |
| | Input Current (A) | 277V = 0.35A | 277V = 0.34A | 277V = 0.36A | 277V = 0.55A | 277V = 0.53A | 277V = 0.55A | 277V = 0.69A | 277V = 0.66A | 277V = 0.70A |
| 347V = 0.28A | | 347V = 0.27A | 347V = 0.29A | 347V = 0.44A | 347V = 0.42A | 347V = 0.44A | 347V = 0.55A | 347V = 0.53A | 347V = 0.56A | |
| 480V = 0.20A | | 480V = 0.20A | 480V = 0.21A | 480V = 0.32A | 480V = 0.31A | 480V = 0.32A | 480V = 0.40A | 480V = 0.38A | 480V = 0.40A | |
| Series | Measurements | Low Lumens | | | Mid Lumens | | | High Lumens | | |
| | | 3000K | 4000K | 5000K | 3000K | 4000K | 5000K | 3000K | 4000K | 5000K |
| ECO-PRO-40L-LKFS-T3-UNC | Lumens | 28,485 | 31,402 | 29,907 | 33,629 | 36,449 | 35,047 | 39,660 | 43,432 | 40,963 |
| | Watts | 203 | 198 | 202 | 246 | 236 | 246 | 297 | 283 | 296 |
| | Efficacy | 140 | 159 | 148 | 137 | 154 | 142 | 133 | 154 | 138 |
| | Input Current (A) | 277V = 0.73A | 277V = 0.71A | 277V = 0.73A | 277V = 0.89A | 277V = 0.85A | 277V = 0.89A | 277V = 1.07A | 277V = 1.02A | 277V = 1.07A |
| 347V = 0.59A | | 347V = 0.57A | 347V = 0.58A | 347V = 0.71A | 347V = 0.68A | 347V = 0.71A | 347V = 0.86A | 347V = 0.82A | 347V = 0.85A | |
| 480V = 0.42A | | 480V = 0.41A | 480V = 0.42A | 480V = 0.51A | 480V = 0.49A | 480V = 0.51A | 480V = 0.62A | 480V = 0.59A | 480V = 0.62A | |
| Series | Measurements | Low Lumens | | | Mid Lumens | | | High Lumens | | |
| | | 3000K | 4000K | 5000K | 3000K | 4000K | 5000K | 3000K | 4000K | 5000K |
| ECO-PRO-40L-LKFS-T5-UNC | Lumens | 28,731 | 31,840 | 30,214 | 33,918 | 36,884 | 35,413 | 39,890 | 44,057 | 41,651 |
| | Watts | 202 | 197 | 202 | 246 | 235 | 246 | 302 | 283 | 299 |
| | Efficacy | 142 | 161 | 150 | 138 | 157 | 144 | 132 | 156 | 139 |
| | Input Current (A) | 277V = 0.73A | 277V = 0.71A | 277V = 0.73A | 277V = 0.89A | 277V = 0.85A | 277V = 0.89A | 277V = 1.09A | 277V = 1.02A | 277V = 1.08A |
| 347V = 0.58A | | 347V = 0.57A | 347V = 0.58A | 347V = 0.71A | 347V = 0.68A | 347V = 0.71A | 347V = 0.87A | 347V = 0.82A | 347V = 0.86A | |
| 480V = 0.42A | | 480V = 0.41A | 480V = 0.42A | 480V = 0.51A | 480V = 0.49A | 480V = 0.51A | 480V = 0.63A | 480V = 0.59A | 480V = 0.62A | |

PHOTOMETRIC DATA

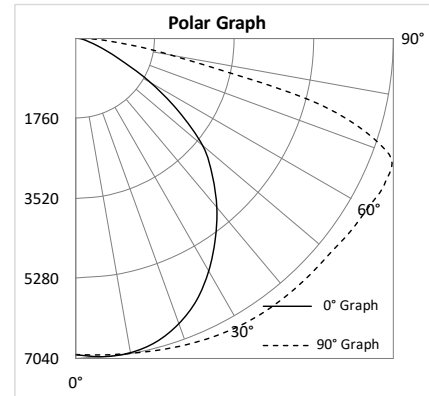
ECO-PRO-24L-LKFS-T3

Luminaire Data

| | |
|-----------------------------|---|
| Description | Multi Purpose Area Light PRO - LKFS 24L 5K T3 |
| Total Lumens | 24,601 |
| Input Wattage | 187 |
| Efficacy (lm/W) | 131 |
| Max. Cd. | 7588.58 (90H, 67V) |
| IES Classification | Type III |
| Longitudinal Classification | Medium |

Luminaire Classification Systems (LCS)

| LCS Zone | Lumens | %Lum |
|--------------|---------------|---------------|
| FL 0-30 | 2,904 | 11.8% |
| FM 30-60 | 6,494 | 26.4% |
| FH 60-80 | 3,240 | 13.2% |
| FVH 80-90 | 323 | 1.3% |
| BL 0-30 | 2,684 | 10.9% |
| BM 30-60 | 5,794 | 23.6% |
| BH 60-80 | 2,933 | 11.9% |
| BVH 80-90 | 229 | 0.9% |
| UL 90-100 | 0 | 0.0% |
| UH 100-180 | 0 | 0.0% |
| Total | 24,601 | 100.0% |
| BUG Rating | B4-U0-G4 | |



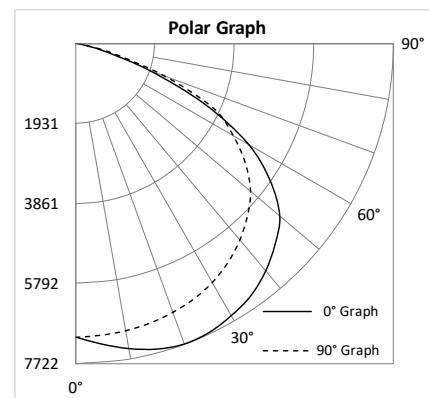
ECO-PRO-24L-LKFS-T5

Luminaire Data

| | |
|-----------------------------|---|
| Description | Multi Purpose Area Light PRO - LKFS 24L 5K T5 |
| Total Lumens | 25,157 |
| Input Wattage | 187 |
| Efficacy (lm/W) | 135 |
| Max. Cd. | 7742.22 (337.5H, 22V) |
| IES Classification | Type VS |
| Longitudinal Classification | Very Short |

Luminaire Classification Systems (LCS)

| LCS Zone | Lumens | %Lum |
|--------------|---------------|---------------|
| FL 0-30 | 3,101 | 12.3% |
| FM 30-60 | 7,290 | 29.0% |
| FH 60-80 | 2,486 | 9.9% |
| FVH 80-90 | 42 | 0.2% |
| BL 0-30 | 2,784 | 11.1% |
| BM 30-60 | 6,505 | 25.9% |
| BH 60-80 | 2,884 | 11.5% |
| BVH 80-90 | 66 | 0.3% |
| UL 90-100 | 0 | 0.0% |
| UH 100-180 | 0 | 0.0% |
| Total | 25,157 | 100.0% |
| BUG Rating | B4-U0-G2 | |



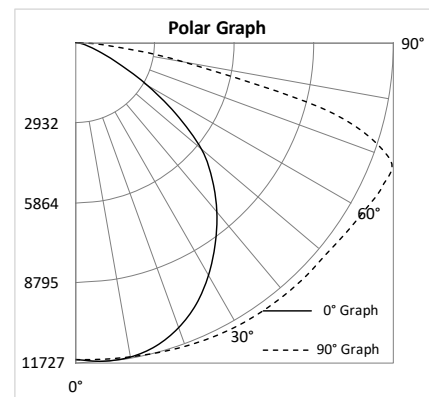
ECO-PRO-40L-LKFS-T3

Luminaire Data

| | |
|-----------------------------|---|
| Description | Multi Purpose Area Light PRO - LKFS 40L 5K T3 |
| Total Lumens | 41,239 |
| Input Wattage | 302 |
| Efficacy (lm/W) | 136 |
| Max. Cd. | 12840.24 (270H, 67V) |
| IES Classification | Type III |
| Longitudinal Classification | Medium |

Luminaire Classification Systems (LCS)

| LCS Zone | Lumens | %Lum |
|--------------|---------------|---------------|
| FL 0-30 | 4,831 | 11.7% |
| FM 30-60 | 10,848 | 26.3% |
| FH 60-80 | 5,398 | 13.1% |
| FVH 80-90 | 483 | 1.2% |
| BL 0-30 | 4,488 | 10.9% |
| BM 30-60 | 9,786 | 23.7% |
| BH 60-80 | 5,010 | 12.1% |
| BVH 80-90 | 394 | 1.0% |
| UL 90-100 | 0 | 0.0% |
| UH 100-180 | 0 | 0.0% |
| Total | 41,239 | 100.0% |
| BUG Rating | B5-U0-G5 | |



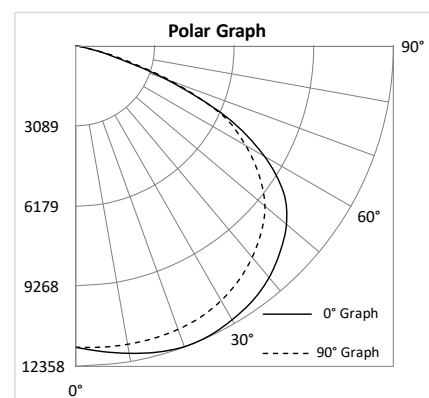
ECO-PRO-40L-LKFS-T5

Luminaire Data

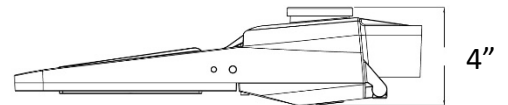
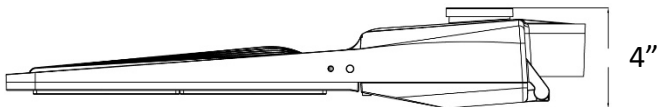
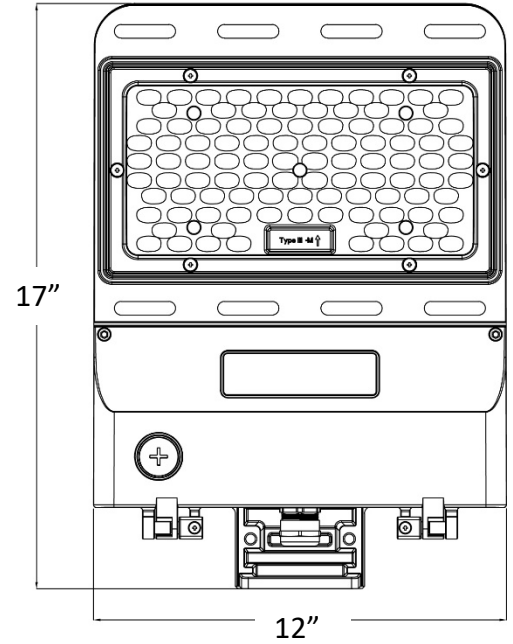
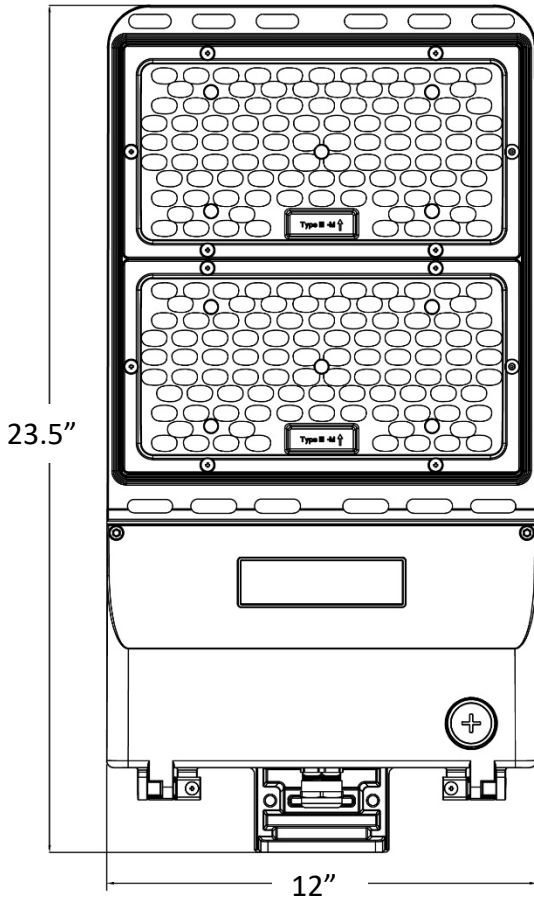
| | |
|-----------------------------|---|
| Description | Multi Purpose Area Light PRO - LKFS 40L 5K T5 |
| Total Lumens | 41,980 |
| Input Wattage | 302 |
| Efficacy (lm/W) | 139 |
| Max. Cd. | 12368.81 (360H, 22V) |
| IES Classification | Type VS |
| Longitudinal Classification | Very Short |

Luminaire Classification Systems (LCS)

| LCS Zone | Lumens | %Lum |
|--------------|---------------|---------------|
| FL 0-30 | 5,024 | 12.0% |
| FM 30-60 | 12,076 | 28.8% |
| FH 60-80 | 4,397 | 10.5% |
| FVH 80-90 | 79 | 0.2% |
| BL 0-30 | 4,671 | 11.1% |
| BM 30-60 | 11,064 | 26.4% |
| BH 60-80 | 4,581 | 10.9% |
| BVH 80-90 | 89 | 0.2% |
| UL 90-100 | 0 | 0.0% |
| UH 100-180 | 0 | 0.0% |
| Total | 41,980 | 100.0% |
| BUG Rating | B5-U0-G2 | |



DIMENSIONS



EFFECTIVE PROJECTED AREAS (EPA's)

24L

Front = 1.4 square feet
Side = 0.5 square feet
Face = 0.3 square feet

40L

Front = 2.0 square feet
Side = 0.7 square feet
Face = 0.3 square feet