

| | |
|------------|--|
| Project: | |
| Type: | |
| Catalog #: | |

STANDARD



FEATURES

- Field selectable 4000k (neutral white) and 5000k (cool white) color temperatures.*
- Long-life LEDs provide 134,000 hours of operation with at least 70% of initial lumen output (L₇₀), and 40,000 hours with at least 90% of initial lumen output (L₉₀).**
- LED color maintenance < 0.003 chromaticity shift (Δu'v') over the initial 6,000 hours of operation.
- Tri-lumen selectable delivers 12,000 to 60,000 nominal lumens (see lumen table on page 3).***
- Screw in sensor ready. Sensor and remote control sold separately. Remote control required to change factory sensor settings.
- Emergency driver option available.
- Medium distribution is standard with optional narrow or wide distribution lenses.
- Universal 120-277V AC voltage (50-60Hz) is standard. 347-480V achieved with step-down transformers is optional.
- 0-10vdc dimming drivers are standard.
- Power factor > 0.90.
- Total harmonic distortion < 20%.
- Color rendering index > 80.
- Painted steel housing (stamped) and polycarbonate lenses are standard.
- Wire guards available.

* Default kelvin temperature = 4000k.
** L₇₀ & L₉₀ hours are IES TM-21-11 calculated hours.
*** Default power setting = highest lumen output.



WARRANTY & LISTINGS

- cULus listed for damp locations in ambient temperatures from -40°C to 50°C (-40°F to 122°F). HBLSR-181512L-4K5K = 55°C (131°F).
 - DLC Premium listed for medium distribution.**
 - Input transient surge protection = 6kV.
 - Complies with FCC Part 15, class A.
 - 5-year warranty on all electronics and housing.
- **DLC 5.1 standard listed for narrow and wide distributions.

MOUNTING OPTIONS

- Chain-mount kit (includes v-hooks and 1-meter-long chain) are standard.
- Optional pendant mounting kit provides pendant attachment to ½" rigid conduit.
- Optional surface mounting kit provides attachment to solid surfaces.
- Optional cable mount kit provides luminaire suspension.

DIMENSIONS

| Model | Size (inches) & Weight (lbs) | | | |
|--------------------|------------------------------|-------|-----|--------|
| | L | W | H | Weight |
| HBLSR-181512L-4K5K | 16.5 | 10.25 | 1.8 | 4.6 |
| HBLSR-241815L-4K5K | 23 | 10.25 | 1.8 | 7 |
| HBLSR-363024L-4K5K | 31 | 10.25 | 1.8 | 9.5 |
| HBLSR-604836L-4K5K | 44 | 10.25 | 1.8 | 12 |

ORDERING INFORMATION

Example: ECO-LHB-181512L-4K5K-ND-EM25

| Series | Nominal Lumen Output (Selectable) | | Kelvin Selectable | Input Voltage ¹ | | Lens Distribution | | Emergency Driver | |
|---------|-----------------------------------|----------------------|-------------------|----------------------------|----------|-------------------|--------|------------------|--|
| | 181512L | 241815L | | UNC | 347-480V | ND | Narrow | EM25 | 25W emergency driver (factory installed) |
| ECO-LHB | 181512L | 18,000/15,000/12,000 | 4K5K | Blank | 120-277V | WD | Wide | Blank | No emergency driver |
| | 241815L | 24,000/18,000/15,000 | | Blank | | Blank | Medium | | |
| | 363024L | 36,000/30,000/24,000 | | | | | | | |
| | 604836L | 60,000/48,000/36,000 | | | | | | | |

¹ UNC option not compatible with EM25 emergency driver.

ACCESSORIES (order separately)

Sensor

- HD07VR-PH-1 = Passive infrared sensor - maximum mounting height = 39 FT, factory settings: detection area = 100%, hold time = 5 sec, stand-by period = 0 sec, stand-by dimming level = 10%, daylight threshold = disabled
- HD07VR-MH-B-1 = Microwave step-dimming sensor - maximum mounting height = 49 FT, factory settings: detection area = 100%, hold time = 5 sec, stand-by period = 0 sec, stand-by dimming level = 10%, daylight threshold = disabled
- HD05R = Remote control for HD07VR-PH-1 & HD07VR-MH-B-1 (required to change factory settings)

Lens

- HBLSR-LENS-181512L-ND = Narrow distribution lens for HBLSR-181512L-4K5K
- HBLSR-LENS-241815L-ND = Narrow distribution lens for HBLSR-241815L-4K5K
- HBLSR-LENS-363024L-ND = Narrow distribution lens for HBLSR-363024L-4K5K
- HBLSR-LENS-604836L-ND = Narrow distribution lens for HBLSR-604836L-4K5K
- HBLSR-LENS-181512L-MD = Medium distribution lens for HBLSR-181512L-4K5K (ships with luminaire standard)
- HBLSR-LENS-241815L-MD = Medium distribution lens for HBLSR-241815L-4K5K (ships with luminaire standard)
- HBLSR-LENS-363024L-MD = Medium distribution lens for HBLSR-363024L-4K5K (ships with luminaire standard)
- HBLSR-LENS-604836L-MD = Medium distribution lens for HBLSR-604836L-4K5K (ships with luminaire standard)
- HBLSR-LENS-181512L-WD = Wide distribution lens for HBLSR-181512L-4K5K
- HBLSR-LENS-241815L-WD = Wide distribution lens for HBLSR-241815L-4K5K
- HBLSR-LENS-363024L-WD = Wide distribution lens for HBLSR-363024L-4K5K
- HBLSR-LENS-604836L-WD = Wide distribution lens for HBLSR-604836L-4K5K

Wire Guard

- HBLSR-WG-181512L = Wire guard kit for HBLSR-181512L-4K5K
- HBLSR-WG-241815L = Wire guard kit for HBLSR-241815L-4K5K
- HBLSR-WG-363024L = Wire guard kit for HBLSR-363024L-4K5K
- HBLSR-WG-604836L = Wire guard kit for HBLSR-604836L-4K5K

Mounting Options

- HBLSR-SMK = Surface mount kit for HBLSR - all models (not compatible with UNC or EM25 options)
- HBLSR-PMK = Pendant mount for HBLSR - all models (not compatible with UNC or EM25 options)
- LEDFHB-CMK3 = Cable mount kit, 3 meters long - all models
- LEDFHB-CMK5 = Cable mount kit, 5 meters long - all models

COMPATIBLE EMERGENCY DRIVERS INTERNALLY INSTALLED*

| Emergency Driver Part Number | EM25 | |
|------------------------------|-------|-----------|
| | Watts | EM Lumens |
| ECO-LHB-181512L-4K5K | 25 | 3750 |
| ECO-LHB-241815L-4K5K | 25 | 3750 |
| ECO-LHB-363024L-4K5K | 25 | 3750 |
| ECO-LHB-604836L-4K5K | 25 | 3750 |

* Suitable for ambient temperatures above 0°C (32°F).

COMPATIBLE DIMMERS & CONTROLS

| Manufacturer | Model Number | Dimming Range | Load Switching Capacity |
|---------------|--------------|---------------|-------------------------|
| Best Lighting | DWS-010V-T | 10%-100% | 600W |
| Best Lighting | DWS-010V-D | 10%-100% | 600W |
| Leviton | IP710-LFZ | 10%-100% | 1200W |
| Lutron | DVSTV | 10%-100% | 450W |

ELECTRICAL DATA

| Series | Measurements | Low Lumens | | Mid Lumens | | High Lumens | |
|-----------------------------|-------------------|--------------|--------------|--------------|--------------|--------------|--------------|
| | | 4000K | 5000K | 4000K | 5000K | 4000K | 5000K |
| ECO-LHB-181512L-4K5K | Lumens | 12,007 | 12,307 | 14,555 | 15,071 | 18,085 | 18,421 |
| | Watts | 76 | 77 | 96 | 98 | 120 | 123 |
| | Efficacy | 158 | 159 | 152 | 154 | 150 | 150 |
| | Input Current (A) | 120V = 0.63A | 120V = 0.64A | 120V = 0.80A | 120V = 0.82A | 120V = 1.00A | 120V = 1.03A |
| 240V = 0.32A | | 240V = 0.32A | 240V = 0.40A | 240V = 0.41A | 240V = 0.50A | 240V = 0.51A | |
| 277V = 0.27A | | 277V = 0.28A | 277V = 0.35A | 277V = 0.35A | 277V = 0.43A | 277V = 0.44A | |

| Series | Measurements | Low Lumens | | Mid Lumens | | High Lumens | |
|-----------------------------|-------------------|--------------|--------------|--------------|--------------|--------------|--------------|
| | | 4000K | 5000K | 4000K | 5000K | 4000K | 5000K |
| ECO-LHB-241815L-4K5K | Lumens | 15,021 | 15,557 | 18,017 | 18,477 | 24,047 | 24,241 |
| | Watts | 94 | 96 | 115 | 117 | 158 | 158 |
| | Efficacy | 159 | 162 | 157 | 158 | 152 | 153 |
| | Input Current (A) | 120V = 0.78A | 120V = 0.80A | 120V = 0.96A | 120V = 0.98A | 120V = 1.32A | 120V = 1.32A |
| 240V = 0.39A | | 240V = 0.40A | 240V = 0.48A | 240V = 0.49A | 240V = 0.66A | 240V = 0.66A | |
| 277V = 0.34A | | 277V = 0.35A | 277V = 0.42A | 277V = 0.42A | 277V = 0.57A | 277V = 0.57A | |

| Series | Measurements | Low Lumens | | Mid Lumens | | High Lumens | |
|-----------------------------|-------------------|--------------|--------------|--------------|--------------|--------------|--------------|
| | | 4000K | 5000K | 4000K | 5000K | 4000K | 5000K |
| ECO-LHB-363024L-4K5K | Lumens | 24,049 | 24,854 | 30,037 | 30,299 | 35,517 | 36,076 |
| | Watts | 152 | 155 | 193 | 197 | 237 | 242 |
| | Efficacy | 158 | 160 | 156 | 154 | 150 | 149 |
| | Input Current (A) | 120V = 1.27A | 120V = 1.29A | 120V = 1.61A | 120V = 1.64A | 120V = 1.98A | 120V = 2.02A |
| 240V = 0.63A | | 240V = 0.65A | 240V = 0.80A | 240V = 0.82A | 240V = 0.99A | 240V = 1.01A | |
| 277V = 0.55A | | 277V = 0.56A | 277V = 0.70A | 277V = 0.71A | 277V = 0.86A | 277V = 0.87A | |

ELECTRICAL DATA

| Series | Measurements | Low Lumens | | Mid Lumens | | High Lumens | |
|-----------------------------|-------------------|--------------|--------------|--------------|--------------|--------------|--------------|
| | | 4000K | 5000K | 4000K | 5000K | 4000K | 5000K |
| ECO-LHB-604836L-4K5K | Lumens | 37,049 | 38,465 | 48,182 | 49,009 | 60,104 | 61,319 |
| | Watts | 236 | 241 | 312 | 317 | 404 | 412 |
| | Efficacy | 157 | 160 | 154 | 155 | 149 | 149 |
| | Input Current (A) | 120V = 1.97A | 120V = 2.01A | 120V = 2.60A | 120V = 2.64A | 120V = 3.37A | 120V = 3.43A |
| 240V = 0.98A | | 240V = 1.00A | 240V = 1.30A | 240V = 1.32A | 240V = 1.68A | 240V = 1.72A | |
| 277V = 0.85A | | 277V = 0.87A | 277V = 1.13A | 277V = 1.14A | 277V = 1.46A | 277V = 1.49A | |

PHOTOMETRIC DATA

ECO-LHB-181512L-4K5K

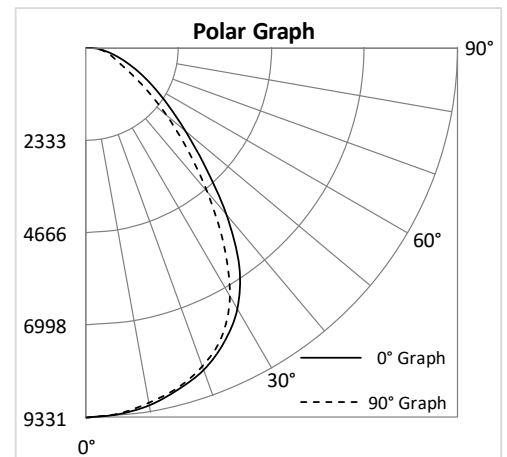
Luminaire Data

| | |
|-----------------------------|--|
| Description | Linear High Bay Lumen/Kelvin Selectable |
| Total Lumens | 18,423 |
| Input Wattage | 123 |
| Efficacy (lm/W) | 150 |
| Spacing Criterion (0-180°) | 1.22 |
| Spacing Criterion (90-270°) | 1.18 |

Photometrics calculated at
5000k - high lumens setting

Zonal Lumen Summary

| Zone | Lumens | %Fixt |
|---------|--------|--------|
| 0-20° | 3,402 | 18.5% |
| 0-30° | 7,155 | 38.8% |
| 0-40° | 11,161 | 60.6% |
| 20-50° | 10,840 | 58.8% |
| 40-70° | 6,281 | 34.1% |
| 0-60° | 16,247 | 88.2% |
| 0-80° | 18,156 | 98.6% |
| 0-90° | 18,423 | 100.0% |
| 90-180° | 0 | 0.0% |
| 0-180° | 18,423 | 100.0% |



ECO-LHB-241815L-4K5K

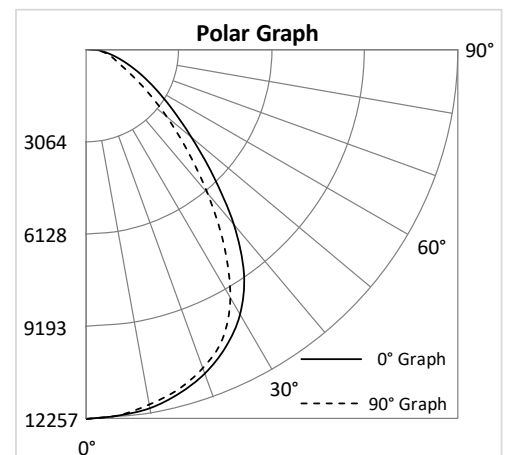
Luminaire Data

| | |
|-----------------------------|--|
| Description | Linear High Bay Lumen/Kelvin Selectable |
| Total Lumens | 24,269 |
| Input Wattage | 158 |
| Efficacy (lm/W) | 153 |
| Spacing Criterion (0-180°) | 1.24 |
| Spacing Criterion (90-270°) | 1.18 |

Photometrics calculated at
5000k - high lumens setting

Zonal Lumen Summary

| Zone | Lumens | %Fixt |
|---------|--------|--------|
| 0-20° | 4,468 | 18.4% |
| 0-30° | 9,398 | 38.7% |
| 0-40° | 14,661 | 60.4% |
| 20-50° | 14,249 | 58.7% |
| 40-70° | 8,283 | 34.1% |
| 0-60° | 21,353 | 88.0% |
| 0-80° | 23,902 | 98.5% |
| 0-90° | 24,269 | 100.0% |
| 90-180° | 0 | 0.0% |
| 0-180° | 24,269 | 100.0% |



PHOTOMETRIC DATA

ECO-LHB-363024L-4K5K

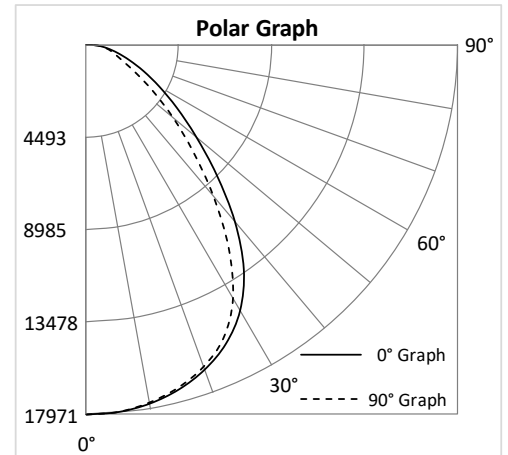
Luminaire Data

| | |
|-----------------------------|--|
| Description | Linear High Bay Lumen/Kelvin Selectable |
| Total Lumens | 36,087 |
| Input Wattage | 242 |
| Efficacy (lm/W) | 149 |
| Spacing Criterion (0-180°) | 1.24 |
| Spacing Criterion (90-270°) | 1.18 |

Photometrics calculated at
5000k - high lumens setting

Zonal Lumen Summary

| Zone | Lumens | %Fixt |
|---------|--------|--------|
| 0-20° | 6,560 | 18.2% |
| 0-30° | 13,802 | 38.2% |
| 0-40° | 21,585 | 59.8% |
| 20-50° | 21,143 | 58.6% |
| 40-70° | 12,526 | 34.7% |
| 0-60° | 31,718 | 87.9% |
| 0-80° | 35,540 | 98.5% |
| 0-90° | 36,087 | 100.0% |
| 90-180° | 0 | 0.0% |
| 0-180° | 36,087 | 100.0% |



ECO-LHB-604836L-4K5K

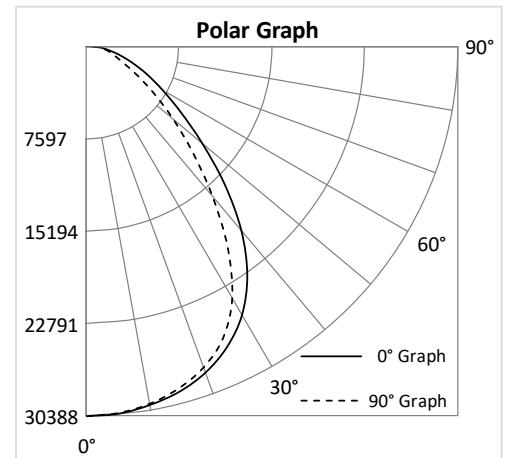
Luminaire Data

| | |
|-----------------------------|--|
| Description | Linear High Bay Lumen/Kelvin Selectable |
| Total Lumens | 61,323 |
| Input Wattage | 412 |
| Efficacy (lm/W) | 149 |
| Spacing Criterion (0-180°) | 1.24 |
| Spacing Criterion (90-270°) | 1.18 |

Photometrics calculated at
5000k - high lumens setting

Zonal Lumen Summary

| Zone | Lumens | %Fixt |
|---------|--------|--------|
| 0-20° | 11,100 | 18.1% |
| 0-30° | 23,335 | 38.1% |
| 0-40° | 36,491 | 59.5% |
| 20-50° | 35,901 | 58.5% |
| 40-70° | 21,535 | 35.1% |
| 0-60° | 53,908 | 87.9% |
| 0-80° | 60,446 | 98.6% |
| 0-90° | 61,323 | 100.0% |
| 90-180° | 0 | 0.0% |
| 0-180° | 61,323 | 100.0% |



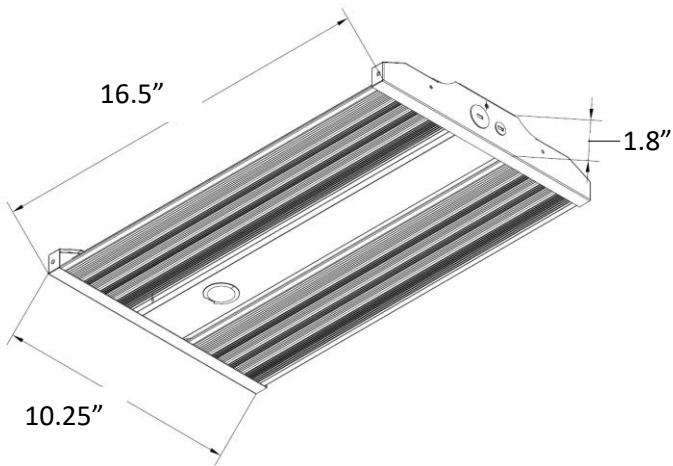
CORDS & PLUGS

- When ordering a cord/cord & plug, use the following suffix choices.
 - Example: **HBLSR-181512L-4K5K-EM25-10C4**
- Note: cord & plugs do not affect the ability to install sensors.

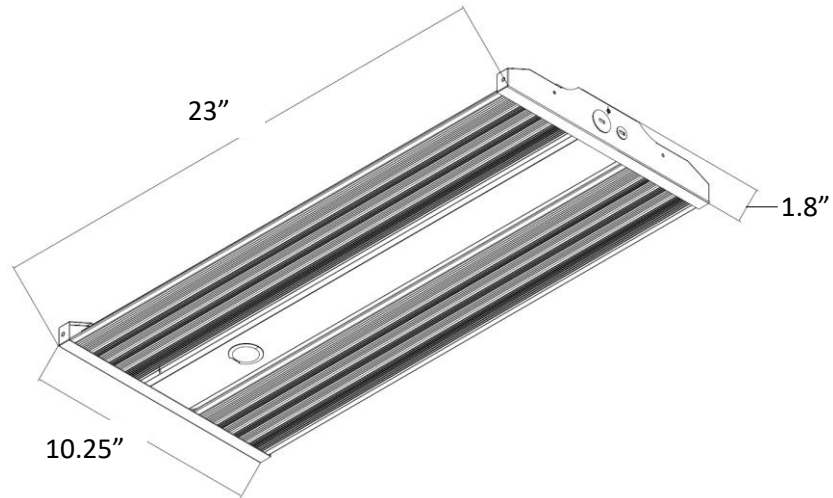
| Part number suffix | Description | For use with |
|--------------------|--|--------------------------|
| 6C3 | 6' cord - 3 conductor (black/white/green) | Standard & UNC |
| 6C4 | 6' cord - 4 conductor (black/white/green/red) | EM driver |
| 6C5 | 6' cord - 5 conductor (black/white/green/purple/pink) | Dimming (standard & UNC) |
| 6C6 | 6' cord - 6 conductor (black/white/green/red/purple/pink) | Dimming & EM driver |
| 10C3 | 10' cord - 3 conductor (black/white/green) | Standard & UNC |
| 10C4 | 10' cord - 4 conductor (black/white/green/red) | EM driver |
| 10C5 | 10' cord - 5 conductor (black/white/green/purple/pink) | Dimming (standard & UNC) |
| 10C6 | 10' cord - 6 conductor (black/white/green/red/purple/pink) | Dimming & EM driver |
| 15C3 | 15' cord - 3 conductor (black/white/green) | Standard & UNC |
| 15C4 | 15' cord - 4 conductor (black/white/green/red) | EM driver |
| 15C5 | 15' cord - 5 conductor (black/white/green/purple/pink) | Dimming (standard & UNC) |
| 15C6 | 15' cord - 6 conductor (black/white/green/red/purple/pink) | Dimming & EM driver |
| 6W3 | 6' whip - 3 conductor (black/white/green) | Standard & UNC |
| 6W4 | 6' whip - 4 conductor (black/white/green/red) | EM driver |
| 6W5 | 6' whip - 5 conductor (black/white/green/purple/pink) | Dimming (standard & UNC) |
| 6W6 | 6' whip - 6 conductor (black/white/green/red/purple/pink) | Dimming & EM driver |
| 6P515 | 6' cord - 3 conductor (black/white/green) - NEMA 5-15 plug (120V/15A) | Standard luminaire |
| 6P615 | 6' cord - 3 conductor (black/white/green) - NEMA 6-15 plug (240V/15A) | Standard luminaire |
| 6P715 | 6' cord - 3 conductor (black/white/green) - NEMA 7-15 plug (277V/15A) | Standard luminaire |
| 6P520 | 6' cord - 3 conductor (black/white/green) - NEMA 5-20 plug (120V/20A) | Standard luminaire |
| 6P620 | 6' cord - 3 conductor (black/white/green) - NEMA 6-20 plug (277V/20A) | Standard luminaire |
| 6P515L | 6' cord - 3 conductor (black/white/green) - NEMA L5-15 plug (120V/15A locking) | Standard luminaire |
| 6P615L | 6' cord - 3 conductor (black/white/green) - NEMA L6-15 plug (240V/15A locking) | Standard luminaire |
| 6P715L | 6' cord - 3 conductor (black/white/green) - NEMA L7-15 plug (277V/15A locking) | Standard luminaire |
| 6P520L | 6' cord - 3 conductor (black/white/green) - NEMA L5-20 plug (120V/20A locking) | Standard luminaire |
| 6P620L | 6' cord - 3 conductor (black/white/green) - NEMA L6-20 plug (240V/20A locking) | Standard luminaire |
| 6P720L | 6' cord - 3 conductor (black/white/green) - NEMA L7-20 plug (277V/20A locking) | Standard luminaire |
| 6P2420L | 6' cord - 3 conductor (black/white/green) - NEMA L24-20 plug (347V/20A locking) | UNC luminaire |
| 6P820L | 6' cord - 3 conductor (black/white/green) - NEMA L8-20 plug (480V/20A locking) | UNC luminaire |
| 10P515 | 10' cord - 3 conductor (black/white/green) - NEMA 5-15 plug (120V/15A) | Standard luminaire |
| 10P615 | 10' cord - 3 conductor (black/white/green) - NEMA 6-15 plug (240V/15A) | Standard luminaire |
| 10P715 | 10' cord - 3 conductor (black/white/green) - NEMA 7-15 plug (277V/15A) | Standard luminaire |
| 10P520 | 10' cord - 3 conductor (black/white/green) - NEMA 5-20 plug (120V/20A) | Standard luminaire |
| 10P620 | 10' cord - 3 conductor (black/white/green) - NEMA 6-20 plug (277V/20A) | Standard luminaire |
| 10P515L | 10' cord - 3 conductor (black/white/green) - NEMA L5-15 plug (120V/15A locking) | Standard luminaire |
| 10P615L | 10' cord - 3 conductor (black/white/green) - NEMA L6-15 plug (240V/15A locking) | Standard luminaire |
| 10P715L | 10' cord - 3 conductor (black/white/green) - NEMA L7-15 plug (277V/15A locking) | Standard luminaire |
| 10P520L | 10' cord - 3 conductor (black/white/green) - NEMA L5-20 plug (120V/20A locking) | Standard luminaire |
| 10P620L | 10' cord - 3 conductor (black/white/green) - NEMA L6-20 plug (240V/20A locking) | Standard luminaire |
| 10P720L | 10' cord - 3 conductor (black/white/green) - NEMA L7-20 plug (277V/20A locking) | Standard luminaire |
| 10P2420L | 10' cord - 3 conductor (black/white/green) - NEMA L24-20 plug (347V/20A locking) | UNC luminaire |
| 10P820L | 10' cord - 3 conductor (black/white/green) - NEMA L8-20 plug (480V/20A locking) | UNC luminaire |
| 15P515 | 15' cord - 3 conductor (black/white/green) - NEMA 5-15 plug (120V/15A) | Standard luminaire |
| 15P615 | 15' cord - 3 conductor (black/white/green) - NEMA 6-15 plug (240V/15A) | Standard luminaire |
| 15P715 | 15' cord - 3 conductor (black/white/green) - NEMA 7-15 plug (277V/15A) | Standard luminaire |
| 15P520 | 15' cord - 3 conductor (black/white/green) - NEMA 5-20 plug (120V/20A) | Standard luminaire |
| 15P620 | 15' cord - 3 conductor (black/white/green) - NEMA 6-20 plug (277V/20A) | Standard luminaire |
| 15P515L | 15' cord - 3 conductor (black/white/green) - NEMA L5-15 plug (120V/15A locking) | Standard luminaire |
| 15P615L | 15' cord - 3 conductor (black/white/green) - NEMA L6-15 plug (240V/15A locking) | Standard luminaire |
| 15P715L | 15' cord - 3 conductor (black/white/green) - NEMA L7-15 plug (277V/15A locking) | Standard luminaire |
| 15P520L | 15' cord - 3 conductor (black/white/green) - NEMA L5-20 plug (120V/20A locking) | Standard luminaire |
| 15P620L | 15' cord - 3 conductor (black/white/green) - NEMA L6-20 plug (240V/20A locking) | Standard luminaire |
| 15P720L | 15' cord - 3 conductor (black/white/green) - NEMA L7-20 plug (277V/20A locking) | Standard luminaire |
| 15P2420L | 15' cord - 3 conductor (black/white/green) - NEMA L24-20 plug (347V/20A locking) | UNC luminaire |
| 15P820L | 15' cord - 3 conductor (black/white/green) - NEMA L8-20 plug (480V/20A locking) | UNC luminaire |

DIMENSIONAL DRAWINGS

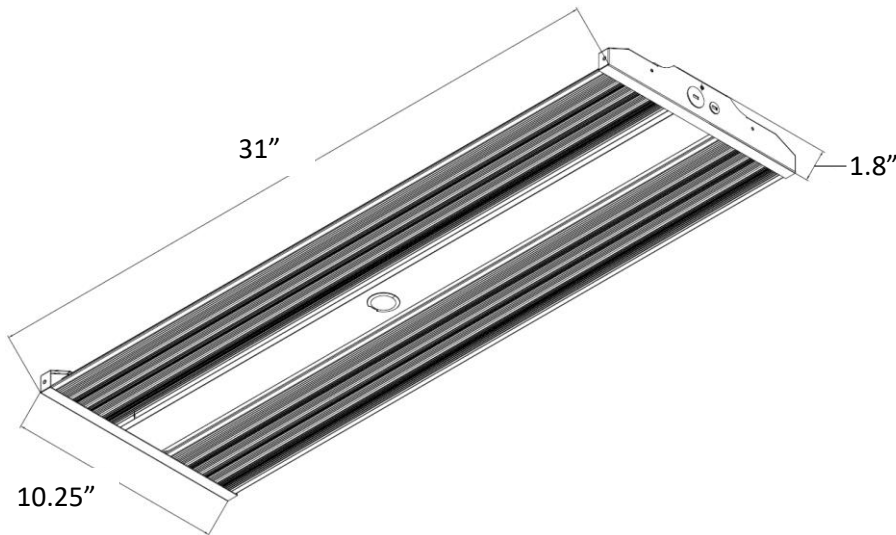
ECO-LHB-181512L-4K5K



ECO-LHB-241815L-4K5K



ECO-LHB-363024L-4K5K



ECO-LHB-604836L-4K5K

